

Power Drain Trap – Electric type

Electric Drain Trap

[WRET – Series]

Advantages

- ⊙ Visible working status (LED lamp)
- ⊙ Spot check available with test button regardless of actual work
- ⊙ Open/close start can be controlled by timer setting.
- ⊙ Free installation regardless of direction.
- ⊙ Low freezing risk by the complete removal of remaining condensed water.
- ⊙ High reliable working by using coil acquired CE mark.
- ⊙ Clogging & cleaning can be solved at a time by using st
sticked cleaning valve.



Specifications

MODEL	IN/OUT	Power	Pressure	Temp.	Capacity	Open time	Delay time
WRET-08	1/4"(8A)	220V 1PH 50/60Hz	0 ~ 16 kgf/cm ² (Basic Spec.)	2 ~ 55 °C	100 liter/hr	2 sec	120 min
WRET-10	3/8"(10A)				150 liter/hr	1~10 sec	45 min
WRET-15	1/2"(15A)						

※ The strainer stucked cleaning valve is included to the above basic spec.

Indication

WRET(1) – 08(2) – 220(3) – 16(4) – ○(5)

(1) WRET : Small electric drain valve(Included strainer)

(2) PORT 08 : 1/4"(8A) (3) POWER
 10 : 3/8"(10A) 220V 1PH 50/60Hz
 15 : 1/2"(15A)

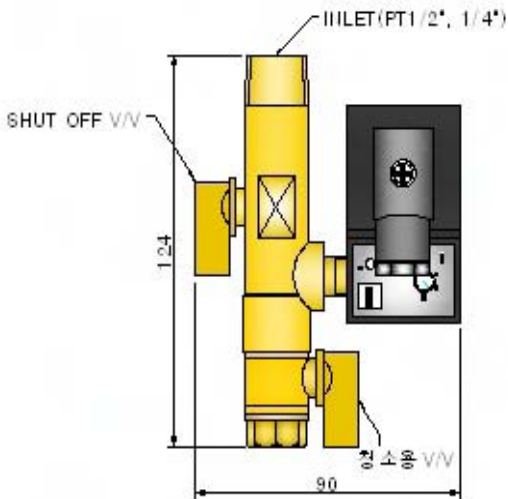
(4) PRESSURE 16 : 0 ~ 16 kgf/cm² (5) OPTION
 25 : 0 ~ 25 kgf/cm² No mark : Standard
 40 : 0 ~ 40 kgf/cm² F : FILTER attachable adapter
 80 : 0 ~ 80 kgf/cm² (M30x15A)

WRET-SERIES Installation / Dimension

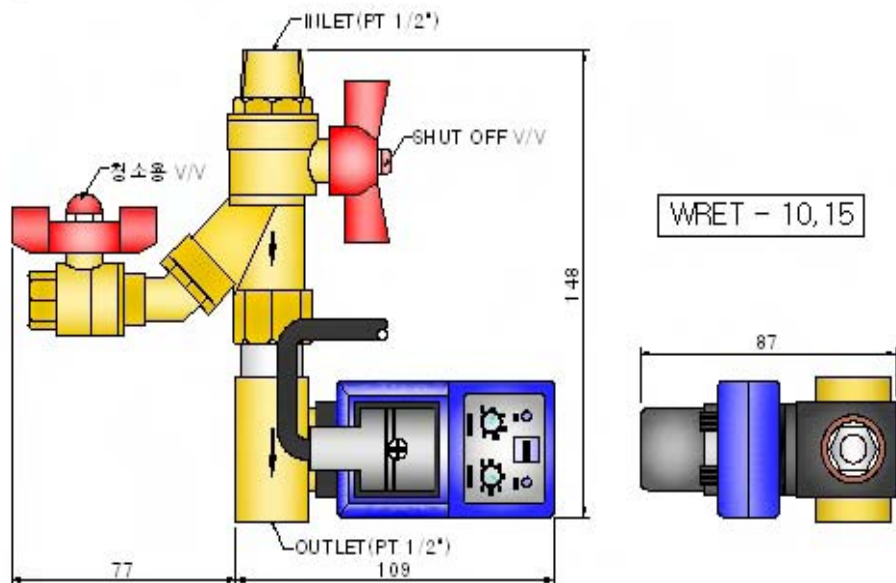
1. Installation

- ⊙ Remove pressure before installation.
- ⊙ Install the lamp in sight for maintenance.
- ⊙ Follow the install directions on the drain trap. (Refer to the arrow on the body)
- ⊙ Do not overpower to coil, timer, connector and others except for body.
- ⊙ The strainer is certainly necessary to the front of trap. (Over #50 of screen)
- ⊙ Check the power and connect.
- ⊙ Push the test button and check how it works and set the timer.

2. Dimension



WRET - 08



WRET - 10,15

1. High pressure trap (25, 40, 80 kgf/cm²) is made it a custom to do.
2. The supplied strainer is surely to be installed to the whole space of trap to avoid malfunction by solid debris. (If not so, free warranty is not allowed)